

Security at your fingertips



FIU-710
Fingerprint Identification Unit

SONY

FIU-710

Fingerprint Identification Unit

Sony Electronics is setting a new standard in IT security with the introduction of the FIU-710. The FIU-710 provides a highly secure means of authentication using proven biometric technology with advanced PKI capabilities.

Easily forgotten passwords and lost smart cards or tokens are no longer a security risk. From Sony, a company that has brought you countless innovations, comes the FIU-710, a biometric security device that replaces passwords with a fingerprint, something you can't lose or forget. Combined with robust encryption and digital signature capabilities, the FIU-710 sets a new standard for information security and user privacy, convenience, and on-line confidence.

The FIU-710 scans, matches, and stores fingerprints internally – the host PC or network server never stores the data, making the unit extremely private and secure. Additionally, this tamper-resistant USB peripheral is a PKCS#11-compliant hardware token, able to generate and store up to 1024-bit RSA key pairs via an on-board exponent processor and 512KB of available flash memory. It is also able to encrypt files with DES and triple DES algorithms, and can store password lists, user profiles, and other data. The FIU-710 can be used for up to eight applications in any one session thereby removing the need for multiple security protocols. These capabilities make the FIU-710 the perfect replacement for passwords, smart cards and tokens.

Several companies are supporting the FIU-710 with their security software solutions, enabling the FIU-710 to complement current moves in PKI-based systems around the world.

Main Features

- Registration and verification of fingerprints, on board
- Authentication by user's fingerprint, password or PKI
- Encryption and decryption of data using PKI (RSA) or symmetric (DES) keys
- Generation and storage of PKI key pair (maximum 1024 bits)
- Digital Certificates
- Digital signature and confirmation
- Flexibility for future applications

For further information please contact:

USA

Sony Electronics Inc.
Broadcast & Professional
Company
ASD/New Business
Development
1 Sony Drive, 3F3
Park Ridge, NJ 07656
TEL: (201) 930-1000
FAX: (201) 930-6459
www.world.sony.com/puppy

EUROPE

Sony Computer Peripherals &
Components Europe
Product Marketing Display &
New Business
The Heights, Brooklands,
Weybridge, Surrey KT13 0XW
United Kingdom
TEL: +44-1932-817406
FAX: +44-1932-817004
www.sony-cp.com/ITsecurity

JAPAN AND OTHERS

Sony Corporation
CSNC Telecom Services
Division
Bionics Business Section
Gotenyama Hills 4-7-35
Kitashinagawa,
Shinagawa-ku, Tokyo,
140-0001 Japan
Tel: +81-3-5448-5539
Fax: +81-3-5448-5917

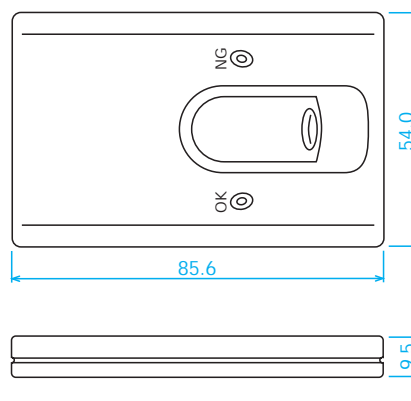
MAIN SPECIFICATIONS

Model code	FIU-710	
Structure	Stand-alone	
Mass	Unit: 37g, Cable: 15.2g	
Sensor Block	Number of Pixels	128 x 192
	Pixel Size	80 x 80 micrometers
	Sensor Area	10.2 x 15.4 mm
Memory Block	User Memory Capacity	512 KB
	Template Data Size	512 bytes / fingerprint
	Registration Time	1.0 second or less*
Verification Block	Verification Method	Pattern Matching
	Verification Time	Less than 1 second
	False Acceptance Rate	0.008% or less**
	False Rejection Rate	3.99% or less**
Power Supply Voltage	DC 5V (supplied through USB port)	
Power Consumption	2.5W or less	
Operating Temperature	5 - 35 degrees C	
Interface	USB (for Windows® 98, ME, and 2000)	
	- Connection allowed directly to PC or self-powered hub	
	- Serial cable (FIUK-100) available for WinNT systems	
Accessories Supplied	USB Cable (50cm, 1); Soft carrying case (1)	

* rewriting of fingerprint data up to 5000 times
** Measured by Sony (tentative)

There remains a possibility (of less than 0.008% according to our measurements) of this product allowing access to persons other than those who have registered their fingerprints. In no event shall Sony or its subsidiaries or its representatives be liable for any incidental, consequential or special loss due to access being allowed to persons other than those who have registered their fingerprints. In no event shall Sony Corporation, its subsidiaries or its representatives be liable for any incidental, consequential or special loss arising from any use, defect, malfunction, or fault of this product.

DIMENSIONS



Distributed by

Sony Electronics Inc.
One Sony Drive
Park Ridge, NJ 07656
www.sony.com/professional